

# COUNTER BALANCE DOOR KIT

## M024.0

**Subject:** Counter Balance Door Kit for large port delivery doors only. The Counter Balance Door Kit can be installed on large port inner doors when vending exceptionally lightweight packages. This will enhance the package being delivered through the delivery door into the port.

**Order:** 1 – 491,011,12x.x4 Counter Balance Door Kit, Large Port

Contents:	1 – 801,812,16x.x1	Counter balance discharge door
	1 – 801,812,15x.x1	Counter balance door frame
	1 – 491,011,14x.x3	Counter balance door weight bar magnet
	1 – 491,011,13x.x3	Counter balance door weight bar
	2 – 491,011,15x.x3	Counter balance door weight bar bracket
	2 – 801,519,18x.x1	Counter balance door magnet
	1 – 801,812,14x.x1	Counter balance door magnet mount
	4 – 900,800,81x.x1	Hex nut 8-32
	2 – 900,301,84x.x1	Screw, phil pan #8-18x½
	2 – 900,400,45x.x1	T-bolt #8-32x½

### Installation Instructions:

1. Remove the existing inner door discharge frame assembly and inner door frame retainer.
2. Assemble the counter balance door weight bar, weight bar brackets, and weight bar magnet. The weight bar brackets are attached by the long side to the weight bar bracket as shown in fig. 1. Secure with two 8-32 hex nuts.
3. Install one magnet (801,519,18x.x1) in the hole in the weight bar magnet. See fig. 1.
4. Install the counter balance discharge door in the inner door as shown in fig. 2.
5. Secure by snapping the door frame into position. See fig. 2.
6. Install the counter balance door weight bar, weight bar brackets, and weight bar magnet assembled in step 2 to the delivery door flap as shown in fig. 1. Note: Counter balance weight bar assembly will be on the refrigerated side. The head of the T-bolt should set in the ribs of the delivery door flap. Secure with 8-32 hex nuts.
7. Locate the second magnet (801,519,18x.x1). Mark the side that attracts to the magnet mounted on the weight bar in step 3.
8. Install the magnet in the magnet mount with the side marked in step 7 facing the magnet on the weight bar.
9. Secure the magnet mount to the door frame using the pilot holes provided.  
*Note: You may have to tape the delivery door open to allow room to install the magnet mount.*
10. Check the delivery door for proper opening and closing.

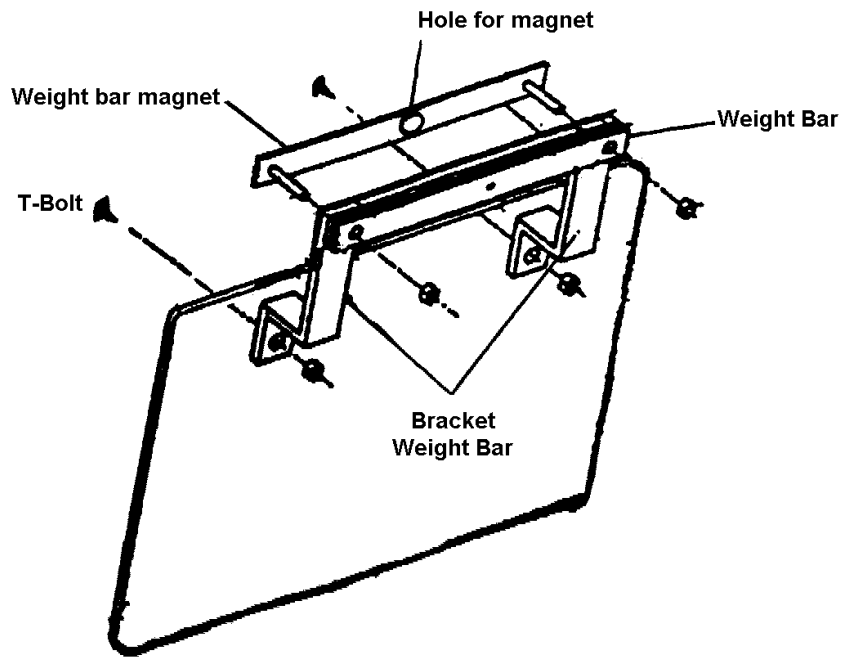


Figure 1

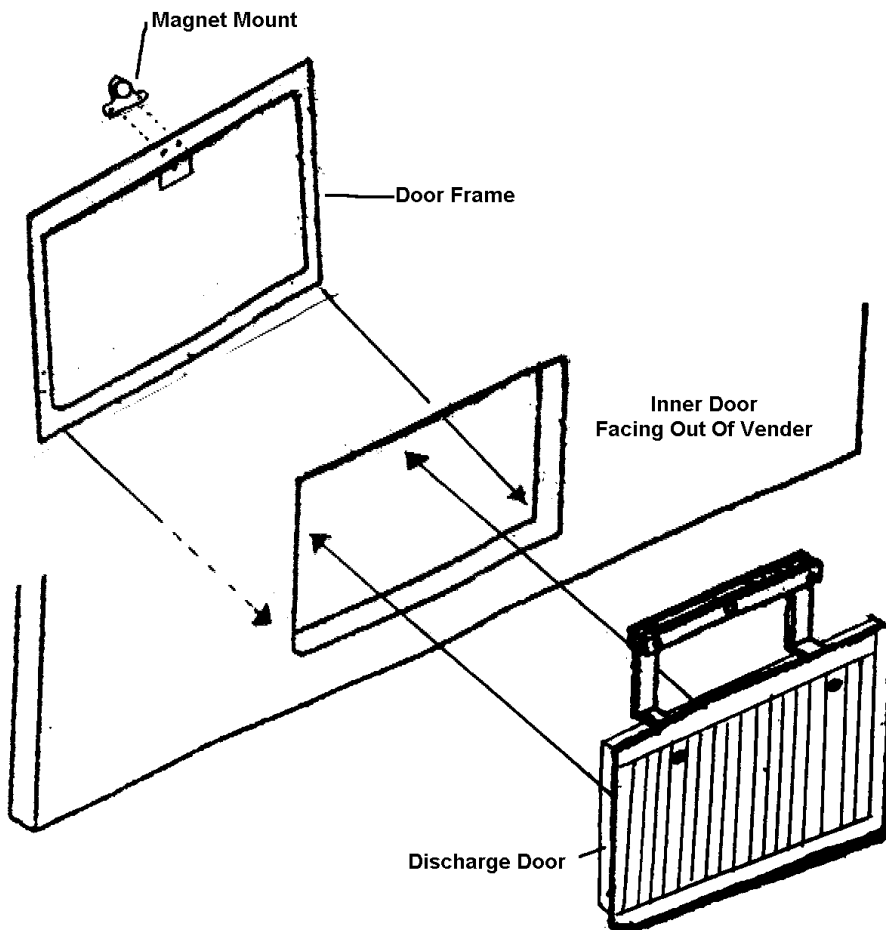


Figure 2